

#### ABSOLUTE MAXIMUM RATINGS

Power Dissipation	Pd	120mW
Continuous Forward Current	I <sub>F</sub>	30mA
Reverse Voltage	V <sub>R</sub>	10V
Operating Temperature Range	Topr	-20 to +70°C
Storage Temperature Range	Tstg	-25 to +75°C

#### ELECTRO-OPTICAL CHARACTERISTICS (CHIP) (Ta=25°C)

PARAMETER	SYMBOL	MIN	TYP	MAX	UNIT	CONDITIONS
Forward Voltage	V <sub>F</sub>		3.3	3.5	V	I <sub>F</sub> =20mA
Reverse Current	I <sub>R</sub>			100	μA	V <sub>R</sub> =5V
Dominant Wavelength	λ <sub>d</sub>	465		470	nm	I <sub>F</sub> =20mA
Spectral Line Half Width	Δλ		30		nm	I <sub>F</sub> =20mA

#### ELECTRO-OPTICAL CHARACTERISTICS (ME3113B) (Ta=25°C)

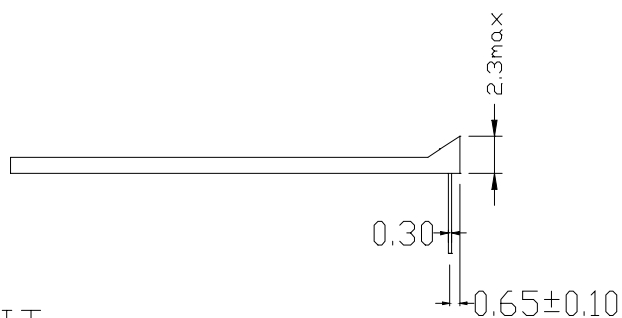
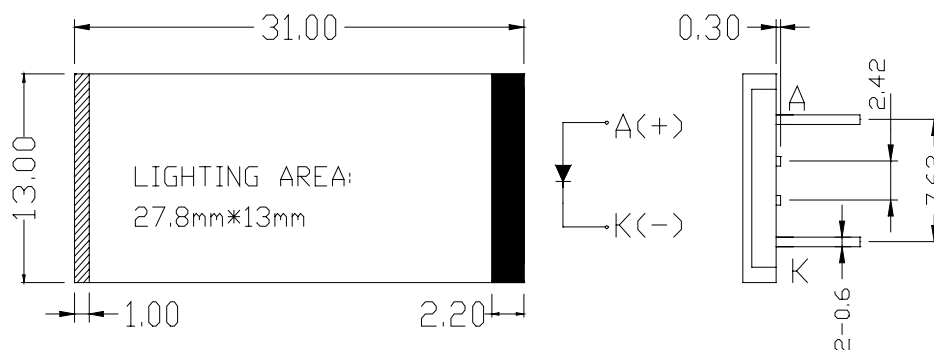
PARAMETER	SYMBOL	MIN	TYP	MAX	UNIT	CONDITIONS
Forward Voltage	V <sub>F</sub>		3.3	3.5	V	I <sub>F</sub> =20mA
Reverse Current/Chip	I <sub>R</sub>			100	μA	V <sub>R</sub> =10V
Dominant Wavelength	λ <sub>d</sub>	465		470	nm	I <sub>F</sub> =20mA
Spectral Line Half Width	Δλ		30		nm	I <sub>F</sub> =20mA
Brightness	B	50	80		cd/m <sup>2</sup>	I <sub>F</sub> =20mA

#### CAUTION

Static electricity and surge damages the backlight ,It is recommended to use a wrist band or anti-eletrostatic glove when handling the backlight . All devices,equipment and machinery must be properly grounded.



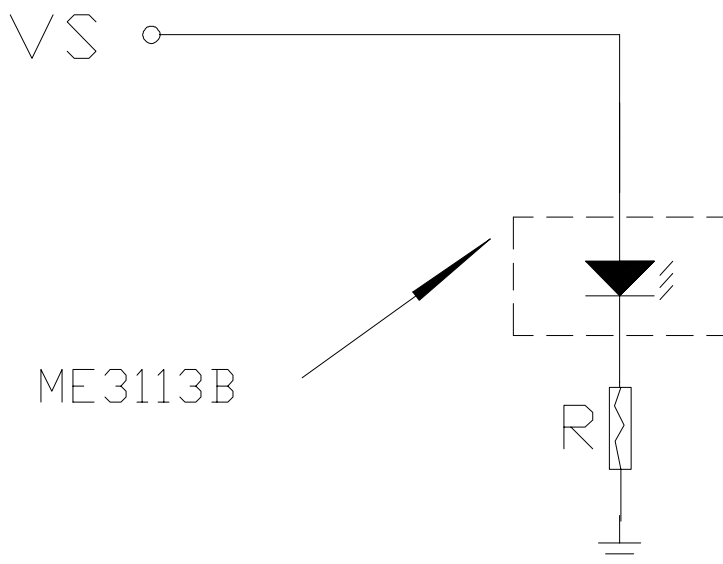
**MECHANICAL OUTLINE:**



UNIT: mm

TOL : ±0.30mm unless other wise noted

**RECOMMENDED CIRCUIT:**



Parallel Connection